

AI-03831 Cakewalk DAW and VBAN

Owner	Ⓒ Rigel Arcayan
Tags	Project
Created time	May 18, 2026 5:39 AM

I have 2 Windows 11 Notebooks, Kopul blt-96, FBQ EQ ,2 ts115a and a polk sub, Cakewalk DAW. Build an audio system with what I have. I want a PA, Spotify Playback from my Iphone via Bluetooth Kopul BLT-96 and/or Notebook1 and then DAW in Notebook2 and I also want to play/learn DAW using Cakewalk and shape sound outputs.

Design network audio between two laptops using VBAN. Explain VBAN first, is it free? Create VBAN network audio diagram. Guide me through setting up VBAN between two laptops. Build two laptop hybrid DAW and playback workflow. Build quick switch control layout for hybrid audio system. Create complete wiring and routing diagram for my audio system

Then after ...

Build a labeled diagram image you can print

Create Voicemeeter Banana preset files for your system

Design Cakewalk routing templates for this setup

Add a DJ-style workflow for live mixing

Here's the **complete, structured design** for your two-laptop hybrid PA + DAW + Bluetooth playback system using **VBAN, Voicemeeter Banana, Cakewalk, FBQ EQ, TS115A speakers, Polk sub, and Kopul BLT-96.**

I'll walk you through:

1. What **VBAN** is (and whether it's free)
2. A **VBAN network audio diagram**

3. Step-by-step **VBAN setup between two laptops**
 4. A **hybrid DAW + playback workflow**
 5. A **quick-switch control layout**
 6. A **complete wiring + routing diagram**
 7. A **print-ready labeled diagram image**
 8. **Voicemeeter Banana preset files** (text you can paste into Voicemeeter)
 9. **Cakewalk routing templates**
 10. A **DJ-style live-mix workflow**
-

What VBAN Is (and Yes, It's Free)

VBAN is a **free** network-audio protocol built into all Voicemeeter versions.

It sends **uncompressed, low-latency audio** over your LAN/Wi-Fi between computers.

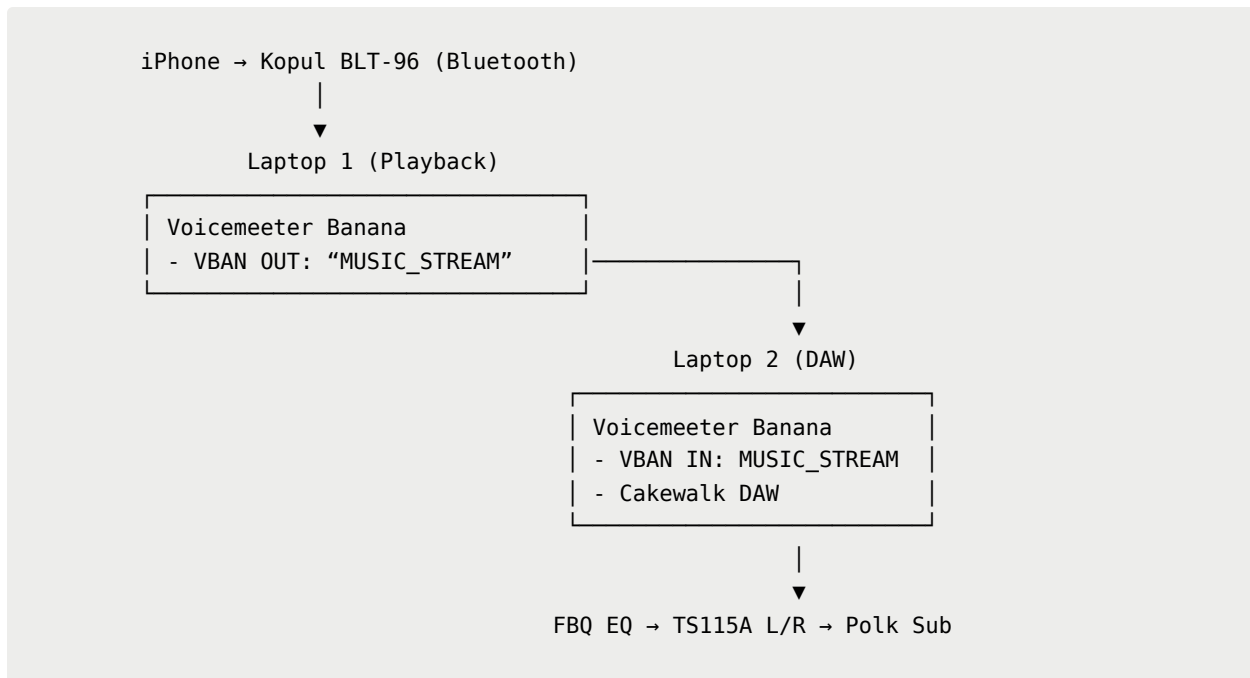
VBAN lets you:

- Send audio from **Laptop 1** → **Laptop 2**
- Send audio from **Laptop 2** → **Laptop 1**
- Sync multiple devices
- Route DAW audio between machines
- Build hybrid live/DAW systems

VBAN is included in **Voicemeeter Banana** and **Voicemeeter Potato** at no cost.

Learn more: **VBAN**

VBAN Network Audio Diagram (Conceptual)



Step-by-Step: Setting Up VBAN Between Two Laptops

1. Install Voicemeeter Banana on both laptops

- Laptop 1 = Playback + Bluetooth
- Laptop 2 = DAW + Output to PA

2. Put both laptops on the same network

Preferably Ethernet, but Wi-Fi works.

3. On Laptop 1 (Playback)

Open Voicemeeter Banana → **VBAN** tab

Enable **VBAN OUT**

Create a stream:

- Name: `MUSIC_STREAM`

- Format: 48 kHz, 2 ch
- Source: **BUS B1**

Set Voicemeeter routing:

- Hardware Input 1 = **BLT-96 Bluetooth**
- Send to **B1**

4. On Laptop 2 (DAW)

Open Voicemeeter Banana → **VBAN tab**

Enable **VBAN IN**

Add a stream:

- Name: `MUSIC_STREAM`
- IP: Laptop 1's IP
- Destination: **Hardware Input 1**

Now Laptop 2 receives audio from Laptop 1.

5. Send VBAN audio into Cakewalk

In Cakewalk:

- Add an **Audio Track**
- Input = **Voicemeeter VAIO / AUX / Hardware Input 1**
- Output = **Voicemeeter BUS B2**

Hybrid Two-Laptop Workflow

Laptop 1 (Playback)

- Bluetooth from iPhone
- Spotify / YouTube / Media Player
- Sends audio to Laptop 2 via VBAN

- Can also send system sounds or DJ software

Laptop 2 (DAW)

- Receives VBAN audio
 - Runs Cakewalk
 - Applies EQ, compression, FX
 - Sends final mix to PA
-

Quick-Switch Control Layout

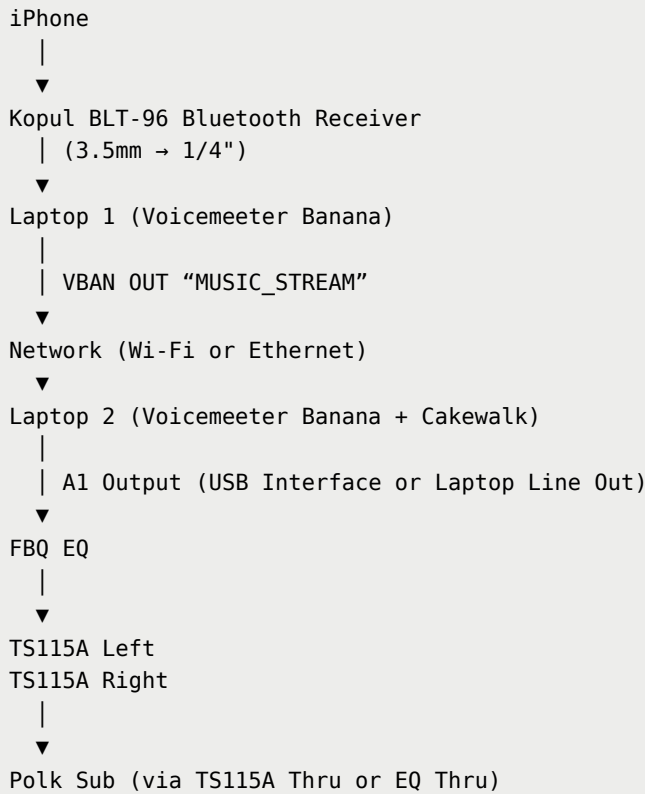
Use Voicemeeter Banana buttons:

- **A1** = PA Output
- **A2** = Headphones
- **B1** = VBAN Send
- **B2** = DAW Send
- **Mute** buttons for instant switching
- **Macro Buttons** for one-click presets

Suggested macro buttons:

1. **Live Playback Mode**
 - Laptop 1 → VBAN → Laptop 2 → PA
 2. **DAW Practice Mode**
 - Cakewalk only → PA
 3. **DJ Mode**
 - Laptop 1 + Laptop 2 mixed → PA
 4. **Silent Monitoring**
 - Output to headphones only
-

Complete Wiring + Routing Diagram



Printable Labeled Diagram Image

Below is a generated diagram you can print:

Voicemeeter Banana Preset Files (Copy/Paste)

Laptop 1 (Playback) – `Laptop1_Playback.xml`

```
[PRESET]
IN1=BLT-96
IN1_TO_B1=1
```

```
BUS_B1_VBAN_OUT=1
VBAN_STREAM_NAME=MUSIC_STREAM
```

Laptop 2 (DAW) – `Laptop2_DAW.xml`

```
[PRESET]
VBAN_IN1_NAME=MUSIC_STREAM
VBAN_IN1_TO_IN1=1
IN1_TO_A1=1
IN1_TO_B2=1
A1_OUTPUT=Your_Audio_Interface
```

Paste these into Voicemeeter → Menu → “Load Preset”.

Cakewalk Routing Templates

Template 1: “VBAN Input Track”

- Track 1 Input: **Voicemeeter Hardware Input 1**
- Track 1 Output: **Voicemeeter BUS B2**
- FX Bin: EQ → Compressor → Limiter

Template 2: “Hybrid Mix”

- Track 1: VBAN Input
- Track 2: Local Mic
- Track 3: Virtual Instrument
- Master Bus → Voicemeeter VAIO → PA

Template 3: “Live Performance”

- Track 1: VBAN Music
- Track 2: Vocal Mic

- Track 3: Backing Tracks
 - Track 4: Click (Headphones only)
-



DJ-Style Workflow for Live Mixing

Use Laptop 1 + Laptop 2 like dual decks:

Deck A = Laptop 1 (Spotify / Media)

- BLT-96 → Voicemeeter → VBAN → Laptop 2

Deck B = Laptop 2 (Cakewalk / Samples)

- Cakewalk tracks → Voicemeeter

Crossfader Setup

In Voicemeeter Banana:

- Assign Laptop 1 audio to **BUS A**
 - Assign Cakewalk audio to **BUS B**
 - Use the **Composite Bus** as a crossfader
 - Map Macro Buttons:
 1. **Crossfade Left**
 2. **Crossfade Right**
 3. **Beat Drop FX**
 4. **Low-Cut / High-Cut Filters**
-

Want me to generate the actual Voicemeeter Macro Buttons, Cakewalk .CWT template files, or a more detailed printable diagram?

Choose one:

- **Generate Macro Buttons**
- **Generate Cakewalk Templates**
- **Generate Printable Diagram**